

LED GARDEN LAMP

MAT CHROME

Technical Data	
Voltage (V)	220-240V
Product Wattage (W)	9
Equivalence with incandescent lamp(W)	72
Colour Render Index (Ra)	>Ra80
Colour Temperature (K)	4000K
Materials	Stainless Steel
Protection Class	I
Dimmable	No
EEI	A to A ⁺⁺
Warm-up time up to 60 %of the full light output	Instant Full Light
Luminous Flux (lm)	684
Luminous Efficacy (lm/W)	76
Rated Life (hrs) ⌚	25.000
IP Rating	44
Power Factor	>0.5
Beam Angle	120°
Starting Time	<0.2s
Number of ON-OFF cycling	x15.000

BAMBU-3

076 016 0003

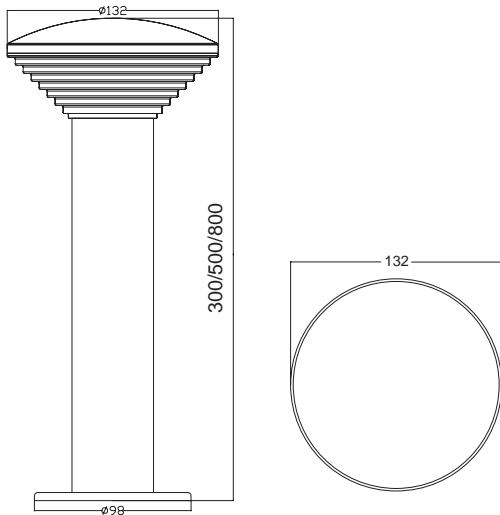
BAMBU-4

076 016 0004

BAMBU-5

076 016 0005

Technical Drawing



Applications

- Designed Outdoor applications: Gardens

Features

- High Lumen and CRI, Good quality & Constant Current driver.
- High heat dissipation, low carbon and environmental protection.
- SMD LED Lamp Base.
- Innovative Design of Assembly Structure

